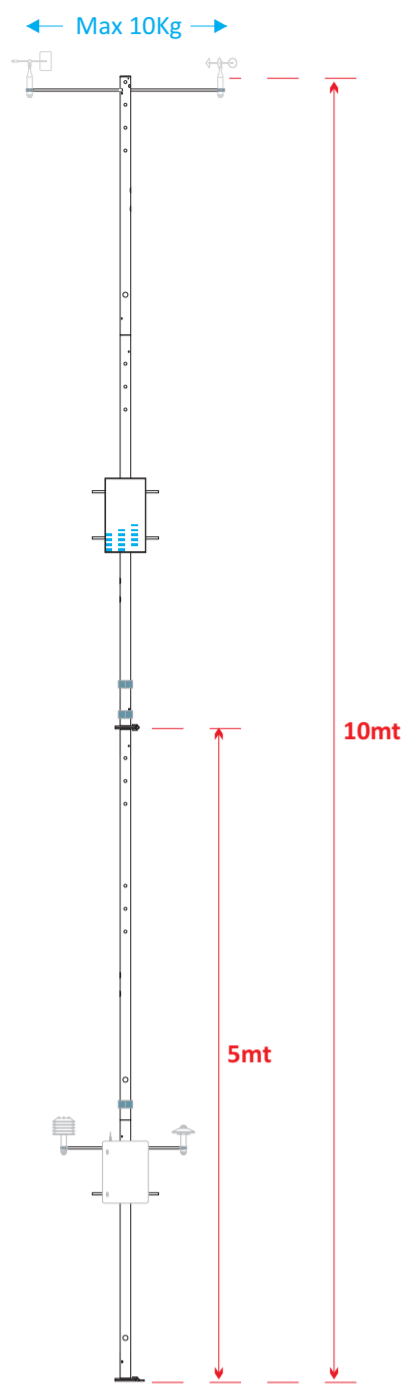
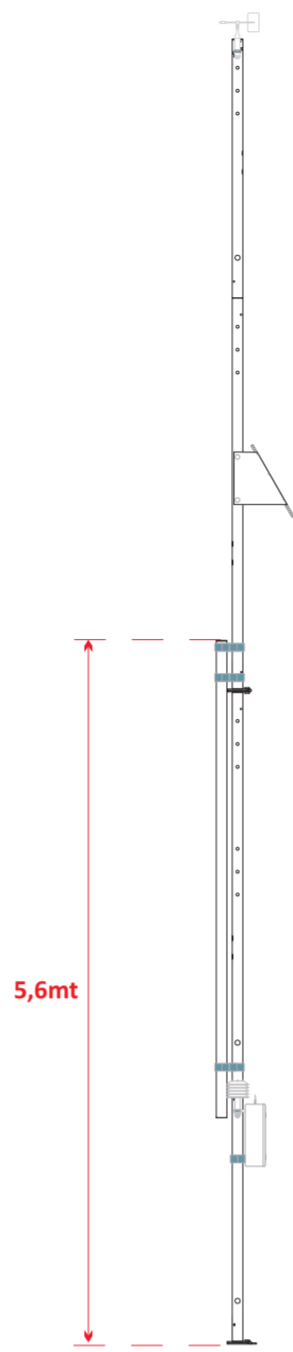


PAL 10ABC

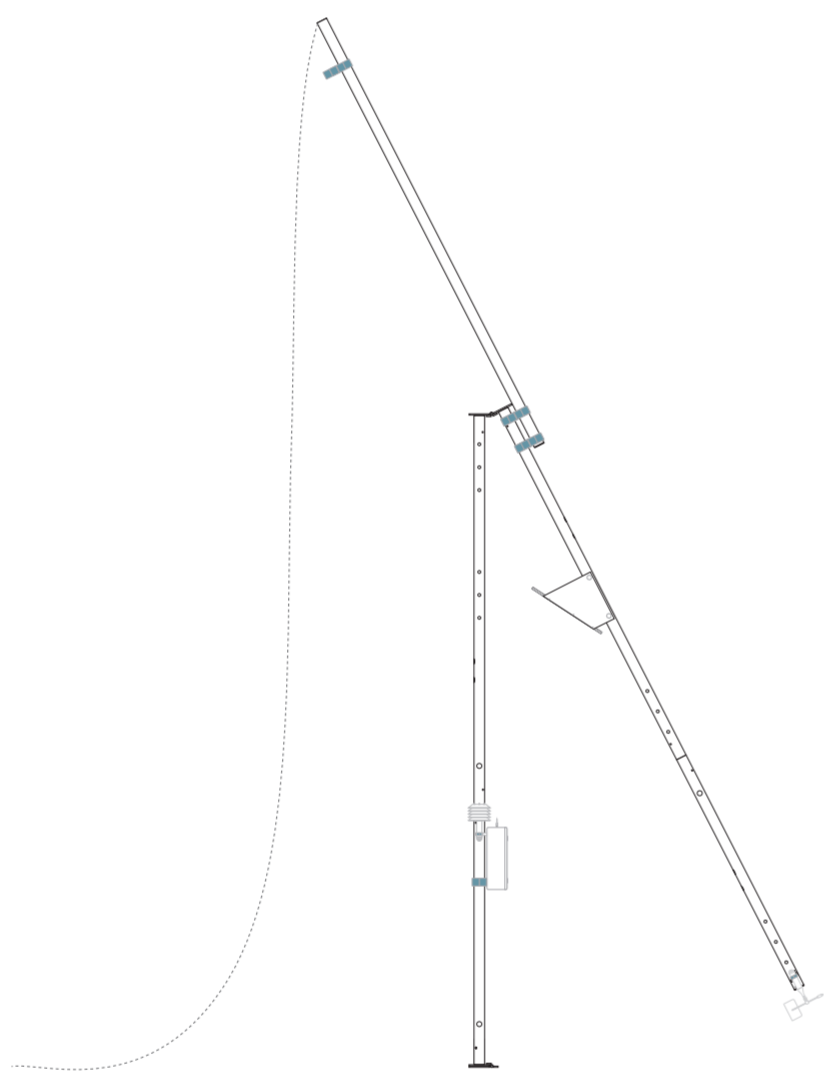
Composition for weather aluminum pole h = 10m, weight 42Kg
 Composizione palo meteo Alluminio h = 10mt, peso 42Kg



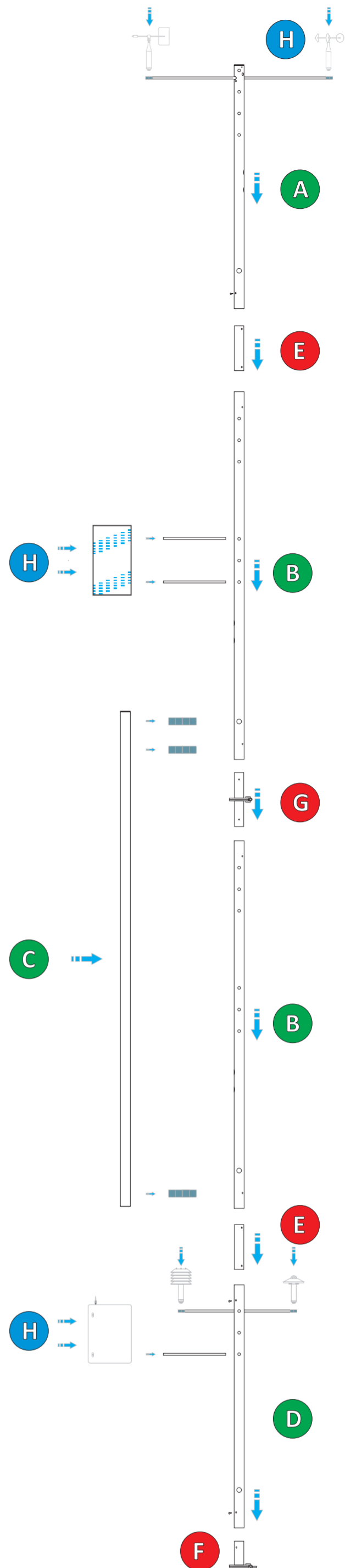
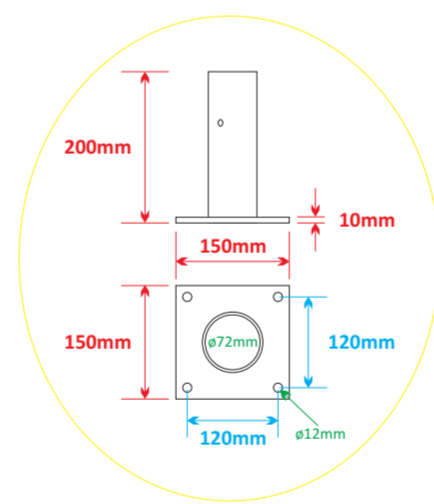
Front View
(Vista Frontale)



Side View
(Vista laterale)



Tilting pole at 5m
(Ribaltamento palo a 5mt)



A

Primary pole $\varnothing 80\text{mm} \times 2\text{m}$ (Elemento Base da $\varnothing 80\text{mm} \times 2\text{mt}$)

B

Extension pole $\varnothing 80\text{mm} \times 3\text{m}$ (Elemento prolunga da $\varnothing 80\text{mm} \times 3\text{mt}$)

C

Extension pole $\varnothing 80\text{mm} \times 1\text{m}$ (Elemento prolunga da $\varnothing 80\text{mm} \times 1\text{mt}$)

D

Extension pole $\varnothing 80\text{mm} \times 2\text{m}$ (Elemento prolunga da $\varnothing 80\text{mm} \times 2\text{mt}$)

H

Arms support sensors 50, 90, 150cm

(Supporti da 50, 90, 150cm)

E

Joint $\varnothing 75\text{mm} \times 30\text{cm}$ (Giunto da $\varnothing 70\text{mm} \times 30\text{cm}$)

F

Base plate with hinge 20x20cm (Piastra base con cerniera 20x20cm)

G

Base plate with hinge 20x20cm (Piastra base con cerniera 20x20cm)

Aluminum poles

Pali in Alluminio

NESA Srl
Sistemi di monitoraggio ambientale

Code
PAL10 - ABC

Rev.
2.0

Date
10 August 2011

NESA Srl - Via Sartori 6/8 - 31020 Vidor TV - Italy Tel. +39.0423.985209 www.nesasrl.it